

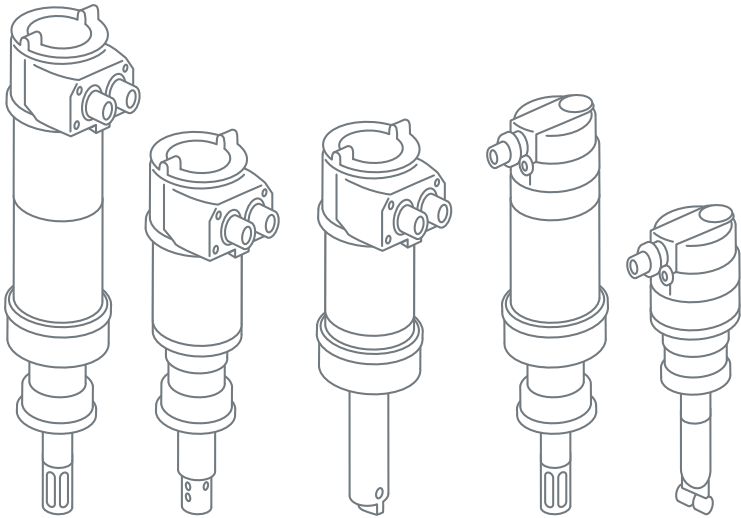


bürkert
FLUID CONTROL SYSTEMS

Analytical Meters

Types 8202, 8222, 8228

ELEMENT and ELEMENT neutrino





Analytical Meters

Product Features and Resulting Advantages

Modular system

allows the selection of the device with only the required functionality, such as I/O, display and fittings as required by the given application. This allows reduced costs based on the actual features needed.

Concise and transparent software structure

Simple adjustments shorten start-up time and lower installation costs.

Status monitoring of the analytical meters

allows to achieve a high degree of process reliability and reproducibility of batch quality.

A great range of fittings

is available for optimal selection of components at a suitable price.

Very simple exchange of analytical meter

minimizes workload and downtimes and saves maintenance costs.

Variable electrical connection for pH/ORP sensors (patented)

Most pH/ORP sensors on the market with 120 mm (\varnothing 12 mm) and S7 connections can be used; the user

can select his preferred probe, however using the same analytical meter, which reduces the number of different devices in use and the effort for device management.

The integrated temperature sensor

allows both – compensation of the process value (pH/ORP or conductivity) and a measurement value as a second process variable, in one device. The purchase of a separate temperature sensor is not necessary.

Possibility of selecting 3 cell constants (0.01, 01 or 1) for conductive conductivity measurements

provides more freedom for exchanging analytical meter and optimization of processes. This reduces device management costs, as a single analytical meter type can be used regardless of the selected cell. Warehousing costs are saved due to reduction of spare parts diversity.

The choice of different materials (PVDF, PEEK, PP)

allows the customer to adjust easily the analytical meter for measuring of inductive conductivity to each application.



ELEMENT neutrino analytical meters

Features

The ELEMENT neutrino analytical meters for measuring pH, ORP or conductive conductivity are blind devices with a lower total height. They are suitable for applications which require an analogue output (4-20 mA).

Significant characteristics of these transmitters are:

- Changing the measurement method pH or ORP by pressing a key
- Operating access with key and multi point rotary switch
- LED as status indicator for calibration operations and device status related to alarms and warnings
- Measurement range switching with 16 point rotary switch and ranges being allocated to it
- Calibration for pH and ORP
- One-point or two-point calibration

ELEMENT neutrino analytical meters for measurement of: pH/ORP, conductive conductivity, inductive conductivity



Type 8202 pH/ORP



Type 8222 EC conductive

ELEMENT analytical meters

Features

The ELEMENT analytical meters for measuring pH, ORP, conductive or inductive conductivity are available with or without display. They are suitable for applications which require up to 2 analogue outputs (4-20 mA) and up to 2 transistor outputs. They are also suitable for the monitoring of measurements, for equipment diagnostics, convenient parameterisation and calibration.

Significant characteristics of these transmitters are:

- Illuminated removable graphic display with operation via multifunction key
 - Parameterization for optimizing device operation at the given measurement point
 - Menu guided calibration
 - Display of device diagnostics information
 - Display of measurement values
 - Limit setting for warning and error detection
 - Test functions and simulation of all outputs
 - Process value simulation
 - Selection of digital output functionality: as sink (NPN) or source (PNP)
 - Selection of unit and scale of the analogue outputs
 - Selection whether the analogue output is set to alarm current value in case of a device error
 - Adjustment of analogue output damping
- Second analogue output for temperature
- 3 LEDs for indicating device and DO status
- 2 digital outputs for indicating limit detection or control loop function
- Verification that sensor is functioning correctly
- Storing of the last 10 respectively 20 calibration values for pH or ORP
- Storing of min/max values

The graphic display enables comfortable reading and setting of parameters, which shortens start-up time.



The analytical meter can be operated with and without this display module

ELEMENT analytical meters for measurement of: pH/ORP, conductive conductivity, inductive conductivity



Type 8202 pH/ORP

Type 8222 EC conductive

Type 8228 EC inductive



bürkert
FLUID CONTROL SYSTEMS

Bürkert Fluid Control Systems
Christian-Bürkert-Straße 13-17
74653 Ingelfingen
Germany

Tel. +49 (0) 7940/10-0
Fax +49 (0) 7940/10-91 204

info@burkert.com
www.burkert.com